

General Description

Series "F" flow control valves provide precise control of flow and shut-off in one direction, and automatically permit full flow in the opposite direction.

Operation

A two-step needle allows fine adjustment at low flow by using the first three turns of the adjusting knob; the next three turns open the valve to full flow, and also provide standard throttling adjustments.

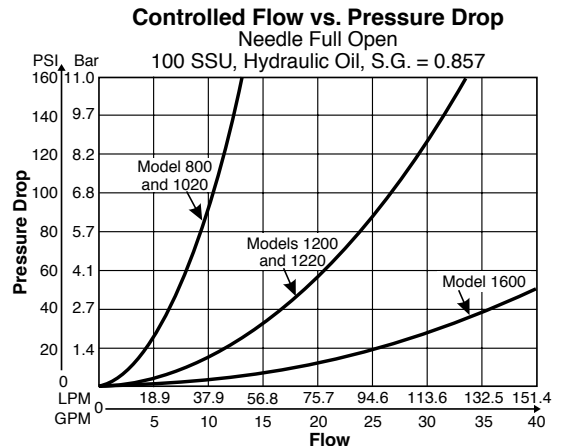
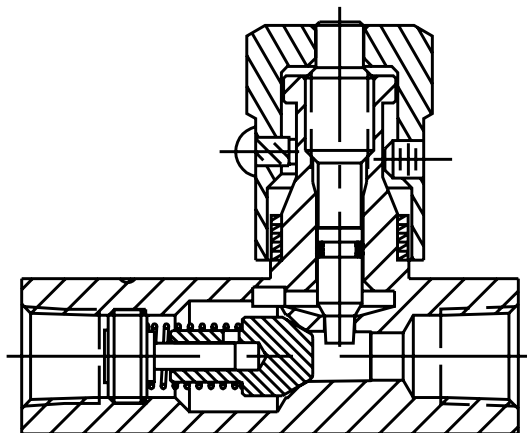
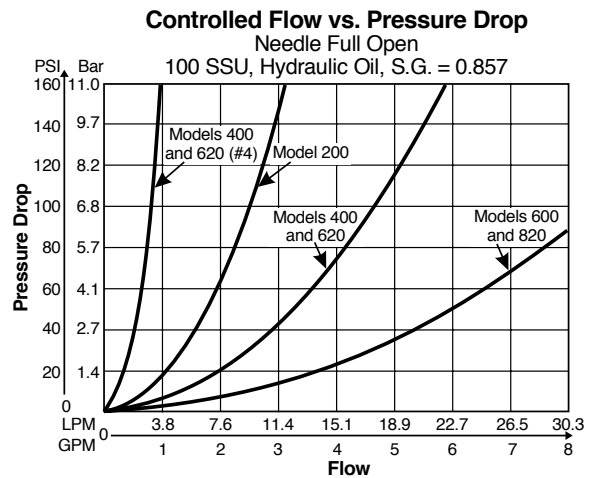
Features

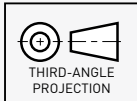
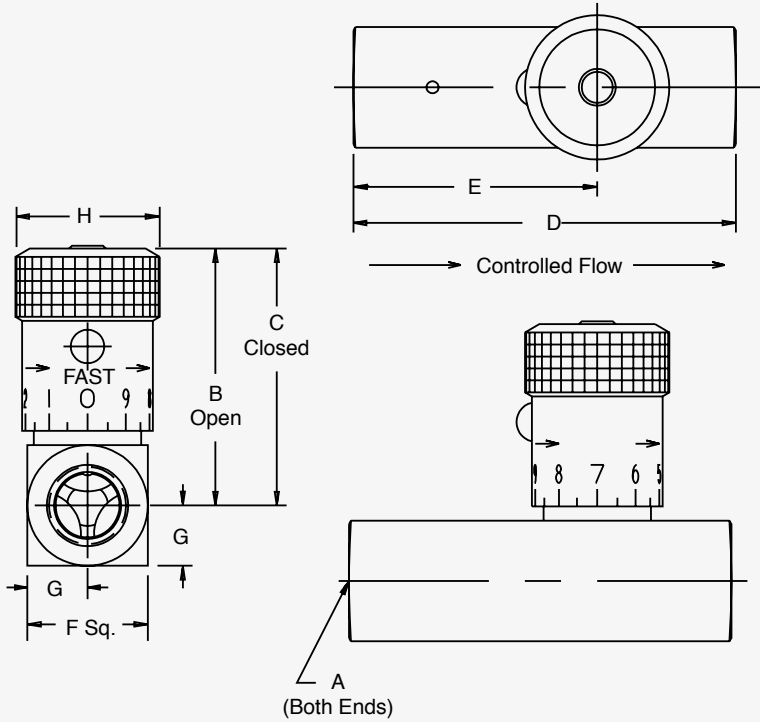
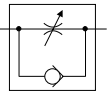
- The exclusive "Colorflow" color-band reference scale on the valve stem is a great convenience and time-saver in setting the valve originally and in returning it to any previous setting.
- A simple set screw locks the valve on any desired setting.
- A tamperproof option (T) feature is also available to prevent accidental or intentional adjustment of flow setting.



Specifications	
Maximum Operating Pressure	Brass: 140 Bar (2000 PSI); except for F1600 brass which is 35 Bar (500 psi) Steel & Stainless: 345 Bar (5000 psi) for 200 thru 820; 207 Bar (3000 psi) for all other sizes
Return Check Poppet, Nominal Cracking Pressure	0.4 Bar (5 PSI)
Poppets	Soft seal poppet in brass 200-1020 sizes Solid metal 416 stainless steel poppet on all other sizes and styles
Operating Temperature	-40°C to +121°C (-40°F to +250°F)

Performance Curves





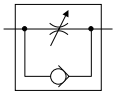
Flow Control / Check Valves

Ordering Information

Model Number	Max Flow LPM (gpm)	A	B	C	D	E	F	G	H
F400	19 (5)	1/4-18 NPTF	45.5 (1.79)	40.4 (1.59)	66.8 (2.63)	42.2 (1.66)	20.6 (0.81)	10.4 (0.41)	20.6 (0.81)
F600	30 (8)	3/8-18 NPTF	55.4 (2.18)	49.5 (1.95)	69.9 (2.75)	44.5 (1.75)	25.4 (1.00)	12.7 (0.50)	25.4 (1.00)
F800	57 (15)	1/2-14 NPTF	68.6 (2.70)	61.5 (2.42)	87.4 (3.44)	56.6 (2.23)	31.8 (1.25)	16.0 (0.63)	30.2 (1.19)
F1200	95 (25)	1/2-14 NPTF	85.9 (3.38)	71.4 (2.81)	98.6 (3.88)	65.5 (2.58)	38.1 (1.50)	19.1 (0.75)	35.1 (1.38)

*Inch equivalents for millimeter dimensions are shown in (**)





Ordering Information

Options

Code	Description
Omit	NPTF
8	BSPT
9	BSPP

Series



Size

Sizes available: Brass			
400	600	800	1200
Sizes available: Stainless Steel			
400	600	800	

Material

Code	Description
Omit	Standard Knob
B	Brass
S	Steel
*SS	Stainless Steel

Series F Brass Valves can be used for both air and oil service.
* Available in 400, 600 and 800 sizes.

Needle Options

Code	Description
Omit	Standard Knob
4	Fine Metering (200, 400, 600, 620 sizes)

Other Options

Code	Description
Omit	Standard Knob
T*	Tamperproof
F	Finger Screw

* Not available above 1200 size.

Seal Compound

Code	Description
Omit	Nitrile (Standard)
V	Fluorocarbon

Design Series

NOTE: Not required when ordering.

Flow Control / Check Valves

Model Number	Weight Kg (lbs.)
F400	0.2 (0.5)
F600	0.3 (0.7)
F800	0.7 (1.5)
F1200	1.2 (2.6)

